



REQUEST FOR QUOTATION

PR No. : 0822-016

JO No. : _____

DATE : _____

Name of Company: _____

Address: _____

Business Permit No: _____

TIN No.: _____

Please quote your best offer for the item/s described below, subject to the Terms and Conditions provided at the dorsal portion of this Request for Quotation. Submit your quotation duly signed by you or your duly authorized representative not later than _____, 2022.

JINKY P. MORENO

Procurement Assistant A

After having carefully read and accepted the Terms and Conditions below, I/we submit our quotation/s for the item/s as follows:

ITEM #	ITEM DESCRIPTION	Approved Budget of the Contract	OFFER						REMARKS
			PRICE			Compliance with technical specifications			
			QTY.	UNIT	UNIT PRICE	TOTAL	YES		
1	PIPES & FITTINGS PhP: <u>0.00</u>	0.00	1.00	LOT					
	ITEM CODE	DESCRIPTION		UNIT	QTY	UNIT PRICE		AMOUNT	
	08-240-009	PIPE, PIPE 250MM X 6M GI SCHED.40()		pc	20.00				
	08-111-006	VALVE, GATE VALVE 250 MJ/MJ (MS-NRS)()		pc	1.00				
	08-374-026	COUPLING, COUPLING 250MM SLEEVE TYPE GI()		pc	14.00				

GRAND TOTAL: _____

Signature Over Printed Name: _____

Contact Number (Landline/Cellphone)/Email Address _____

Please submit the following requirements:

- Mayor's Permit
- Professional License/Curriculum (Consulting Services)
- Philgeps Registration Number
- PCAB License (Infra)
- Income Business Tax Return
- Omnibus Sworn Statements

OTHER TERMS AND CONDITIONS:

1. The mode of payment is within Six (6) months Three (3) months Two (2) months One (1) month.
2. Bidders shall provide correct and accurate information required in this form.
3. Bidders may quote for any at all times except for one (1) lot requisition.
4. Price quotation/s must have:
 - validity - Thirty (30) Calendar days
 - inclusion of tax
 - Quotations exceeding the Approved Budget for the Contract shall be rejected.
 - Award of contract shall be made to the lowest quotation (for goods and services)
 - Erasures or overwriting is not allowed unless signed by duly authorized representative/s.
5. The item/s shall be delivered within Thirty (30) days / months from receipt of Notice to Proceed (NTP) with Purchase Order & Notice of Award (NOA) and Job Order Contract & Notice of Award (NOA).
6. The awardee shall notify two (2) days before its delivery of goods and services.
7. The MKWD shall have the right to inspect and/or to test the goods to confirm their conformity to the technical specifications.
8. Liquidated damages equivalent to one tenth of one percent (0.001%) of the value of the goods not delivered within the prescribed delivery period shall be imposed per day of delay. The MKWD shall rescind the contract once the cumulative amount of liquidated damages reaches ten percent (10%) of the amount of the contract, without prejudice to other courses of action and remedies open to it.



Republic of the Philippines
METRO KIDAPAWAN WATER DISTRICT
 Lanao, Kidapawan City
 Tel nos. (064)577-1533, 577-1865, Fax no. (064) 572-5555
 E-mail Address: metrokidapawan_wd@yahoo.com
 Website: www.metrokidapawanwd.gov.ph
"Committed to Service, Development and Self-Reliance"



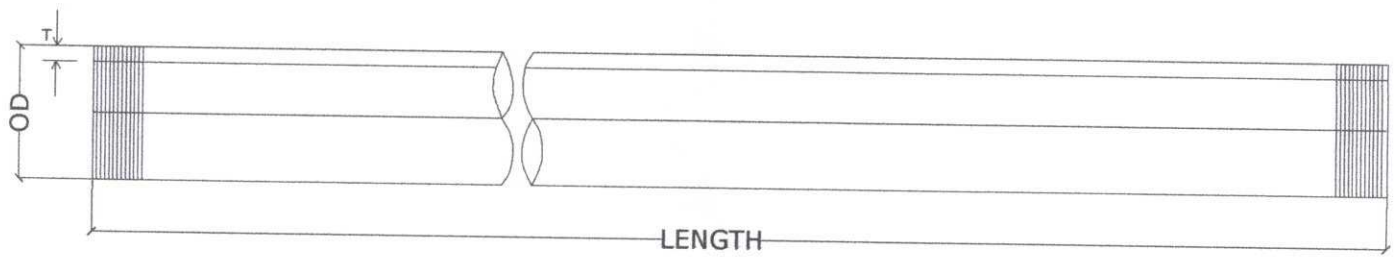
ISO 9001:2015 Certified
 Cert. No. 66478

TERMS OF REFERENCE

PURPOSE	EW0-LAPAAAN DAM 3		
PARTICULARS	<input checked="" type="checkbox"/> PR <input type="checkbox"/> JO No.:	0322-014	Date: June 20, 2022
ITEMS, SPECIFICATIONS, AND DESCRIPTIONS			
ITEM 1 20 units Pipe 250mm x 6.0m G.I Sch 40			
SPECIFICATIONS: 1 (Please see attached specification)			
ITEM 2 1 unit Valve Gate 250mmØ MJ/MJ (MS-NRS)			
SPECIFICATIONS: 1 (Please see attached specification)			
ITEM 3 14 units Coupling Sleeve Type for G.I 250mmØ			
SPECIFICATIONS: 1 (Please see attached specification)			

Note: For more than 6 items attach separate TOR Form. For More specifications attach necessary supporting document/s.

SOURCE OF FUND	APP/PPMP Item No.:	
	Account No.:	NDRRMC FUND P56.56M
MODES AND TERMS OF PAYMENT	Full payment within six months upon issuance of I.A.R	
REQUIRED SERVICES		
<input checked="" type="checkbox"/> Free Delivery	Others specify:	
<input type="checkbox"/> Free Product Demonstration		
<input type="checkbox"/> Free Installation		
REQUIRED CERTIFICATIONS/ PERMITS	None	
QUALIFICATIONS		
AREA OF DELIVERY	MKWD Manongol Reservoir Complex, Brgy. Manongol, Kidapawan City	
DATE OF DELIVERY	within 30 DAYS upon issuance of NOA/NTP	
TIME OF DELIVERY	9:00AM TO 4:00PM every weekdays	
WARRANTY PERIOD	POST INSPECTION WILL BE CONDUCTED AS REQUIREMENT FOR PAYMENT PREPARATION	
RETENTION	Amount:	n/a
	Duration:	n/a
TAX INCLUSIVE	Tax included in ABC	
OTHER CONDITIONS AND CONSTRAINTS		
Materials found to be defective and/or materials that are non-compliant to the standards or specification set upon delivery must be replace at the expense of the supplier.		
Prepared by:	Reviewed by:	
KELVIN E. RUPISAN, CE Division Manager A-PDD	RAMIL A. CONDEZ, CE, RMP, MBA Department Manager A - ECD	
Noted by:	Approved/Disapproved by:	
WILSPER LISANDRO M. ALQUEZA, CE, RMP, MBA AGM for Operations	STELLA M. GONZALES, MPS General Manager	



GALVANIZED IRON (G.I) PIPES

NOMINAL PIPE SIZE	OUTSIDE DIAMETER (mm)	THICKNESS (mm)	Weight per Ft (lb)	EFFECTIVE LENGTH
50mm	60.325	3.912	3.652	6 meters
75mm	88.9	5.50	7.575	6 meters
100mm	114.3	6.02	10.790	6 meters
150mm	168.3	7.112	18.974	6 meters
200mm	219.075	8.20	28.554	6 meters
250mm	273.05	9.271	40.483	6 meters
300mm	323.85	9.53	49.562	6 meters

Schedule: 40

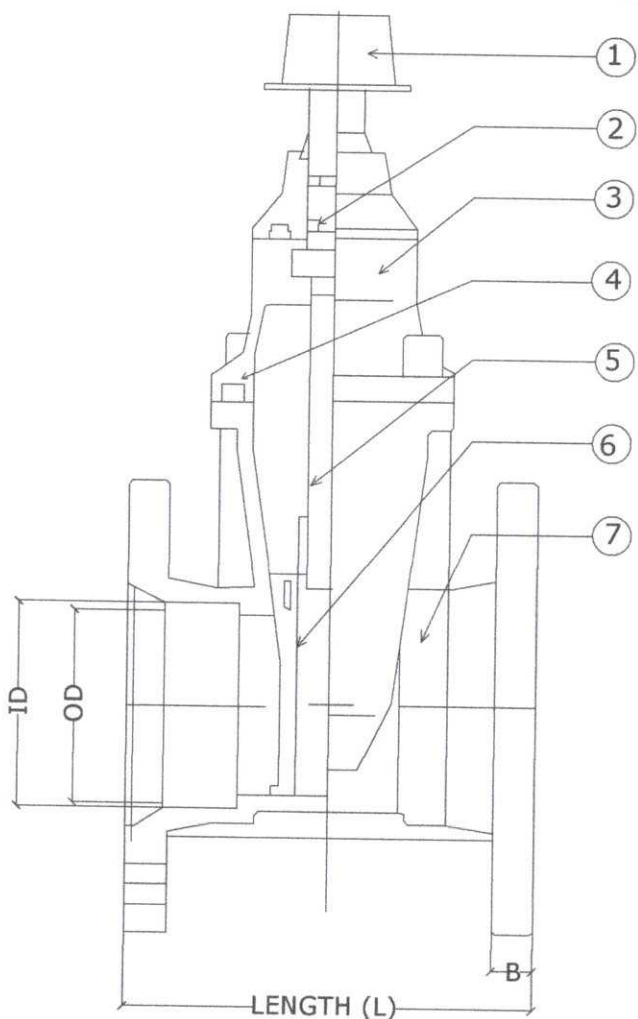
Joining Method: Welding

MATERIAL

G.I. MATERIAL IS IN ACCORDANCE TO ASTM A123 Standard Specification for Zinc (Hot-Dip Galvanized) Coatings on Iron and Steel Products

TECHNICAL STANDARD DETAILS

	PLANNING AND DESIGN DIVISION OF METRO KIDAPAWAN WATER DISTRICT		GALVANIZED IRON PIPES		REVISIONS BY DATE
	SCALE: N.T.S	BY: DESIGN UNIT	DATE: FEBRUARY 2021	DWG. NO.: 01	[] [] [] []



COMPONENT

1. OPERATING NUT
2. O-RING
3. BONNET
4. GASKET BONNET
5. STEM
6. WEDGE
7. VALVE BODY

C.I GATE VALVE MECHANICAL JOINT TYPE

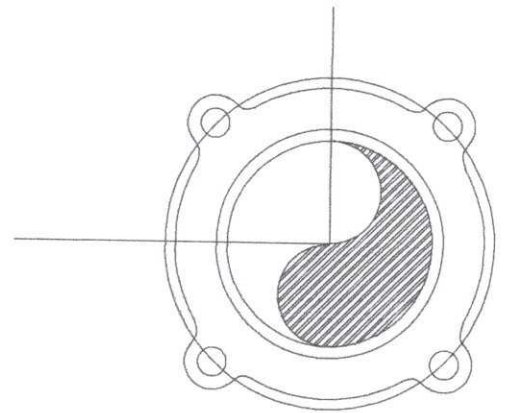
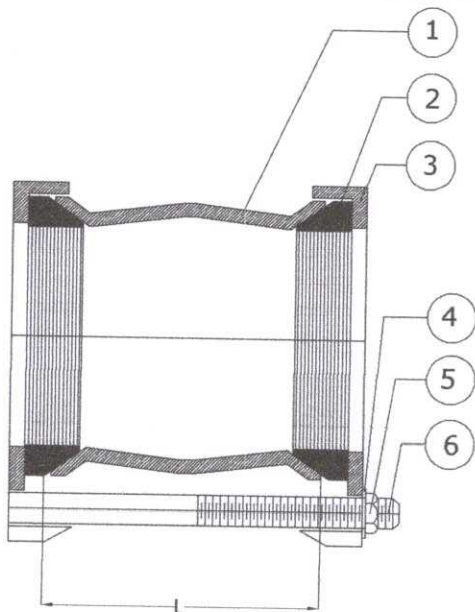
DN	OUTSIDE DIAMETER (OD)	INSIDE DIAMETER (ID)	LENGTH (L)	B
50	63	65	178	15.9
63	75	79	178	15.9
75	90	94	203	19.1
100	110	114	229	19.1
150	160	164	267	19.1
200	225	229	291	20.0
250	280	284	330	20.0

NOTES:

1. TECHNOLOGY CONDITION ON DESIGN AND MANUFACTURE IN CONFORMITY TO ANSI/AWWA C-509-1994.
2. RESILIENT SEATED WEDGE MADE OF DUCTILE IRON WITH ASTM A-536
3. 50mm SQUARE OPERATING NUT WITH ARROW MARK FOR OPENING DIRECTION.
4. COUNTERCLOCKWISE OPENING DIRECTION
5. RATED WORKING PRESSURE 16 BARS MINIMUM
6. COATING & LINING SHALL CONFORM TO AWWA C-550 ELECTROSTATICALLY APPLIED EPOXY POWDER OR EQUIVALENT.
7. GATE VALVE SHOULD BE NON-RISING STEM (NRS)

TECHNICAL STANDARD DETAILS

	PLANNING AND DESIGN DIVISION OF METRO KIDAPAWAN WATER DISTRICT		C.I GATE VALVE MECHANICAL TYPE		REVISIONS BY DATE	
	SCALE: N.T.S	BY: DESIGN UNIT	DATE: FEBRUARY 2021	DWG. NO.: 01	BY	DATE



RIGHT SIDE VIEW

C.I SLEEVE TYPE COUPLING

PARTS:

1. BODY SLEEVE
2. RUBBER SEAL
3. GLAND RING
4. WASHER
5. NUTS
6. BOLTS

MATERIALS:

- CAST IRON
 RUBBER
 CAST IRON
 STEEL
 STEEL
 STEEL

ASTM

- ASTM A-126 CLASS B
 EPDM, NBR, SBR
 ASTM A-126 CLASS B
 ASTM A-307 GRADE B
 ASTM A-307 GRADE B
 ASTM A-307 GRADE B

NOMINAL SIZE	OUTSIDE DIAMETER PVC	L	T
50	50	178	5
63	63	178	5
75	75	178	5
100	100	178	5
150	150	178	5
200	200	178	6
250	250	178	6
300	300	178	6

NOTES:

1. ALL DIMENSIONS ARE IN MILLIMETER UNITS
2. MATERIAL IS CAST IRON CONFORM TO ASTM A-125 CLASS B
3. MATERIAL OF BOLTS NUTS & WASHER ARE STEEL CONFORM TO ASTM A-307 GRADE B, ASTM A-563 RESPECTIVELY AND HOT DIP GALVANIZED AS PER ASTM A-153
4. INTERIOR & EXTERIOR COATING IS EXPOXY POWDER

TECHNICAL STANDARD DETAILS

	PLANNING AND DESIGN DIVISION OF METRO KIDAPAWAN WATER DISTRICT		C.I SLEEVE TYPE COUPLING		REVISIONS BY DATE	
	SCALE: N.T.S	BY: DESIGN UNIT	DATE: FEBRUARY 2021	DWG. NO.: 01		